



Total Food-Service Solutions

Modular Cooking – Meritus 750

Electric Vapour Grill

NEVG 4-75 MR



*Due to routine technical improvement, the photograph shown may not represent the latest design of the products.

AVAILABLE MODEL

1. NEVG 4-75 MR

DESCRIPTION

Electric Vapor Grill with 3.2 kW power rate. It is provided with removable crumb/ drip pan beneath and lift up mechanism for easy cleaning Unit to be installed on open cabinet or similar elements, cantilever, or solid block solutions. Featuring removable clip joint to connect Meritus family product.

ITEM# : _____

MODEL# : _____

NAME : _____

SN : _____

MAIN FEATURE

- Swiveling Heating Element for maximum cleaning.
- Oil Splash Back included for hygienic operation.
- Special designed base, so excess oil can be drained easily.
- Unit to be installed free standing, can be joined with base cabinet, table stand or cantilever system.
- Service maintenance can be done from the front panel.

CONSTRUCTION

- All exterior panels in 304 type of Stainless Steel
- Orbital top panel anti-scratch finishing.
- Top and side are mounted by 1.5 mm of Stainless Steel
- Adjustable ± 25 mm Stainless Steel leg.
- Certified IPX4 protection

INCLUDED ACCESSORIES

- N/A

OPTIONAL ACCESSORIES

- Clip Plate for Joining

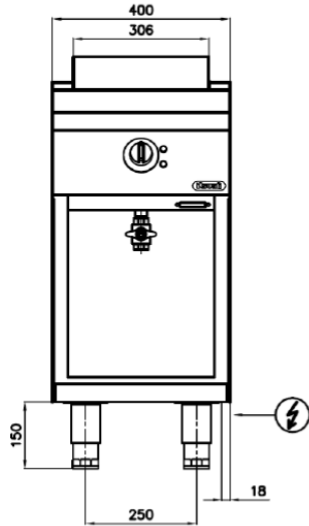
: _____

The company reserves the right to make modifications to the products without prior notice. All information correct at time of printing.

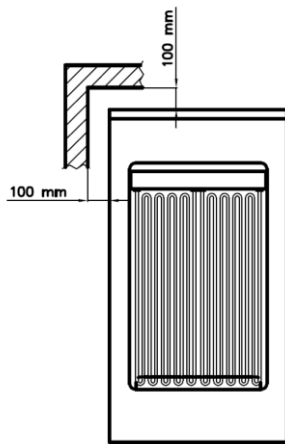
2018.06.22



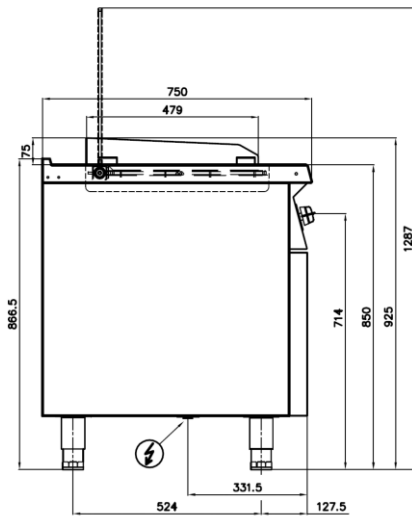
FRONT



TOP



SIDE



* Overall Dimension in mm

ELECTRIC

Electrical rating (kW)	:	3.2
Element rating (kW)	:	3.2
Electrical supply voltage	:	230V 1N
Required electrical supply (amps):		15
Electrical current split (amps)	:	L1: 14.55

KEY INFORMATION

Cooking surface (WxD)	:	280x440 mm
Direct heat emission	:	1.06 kW
Latent heat emission	:	1.28 kW
Steam emission	:	1.88 kg / h
Number of heaters	:	2
Temperature setting	:	3 Levels
Shipping height	:	1000 mm
Shipping width	:	460 mm
Shipping depth	:	840 mm
Shipping volume	:	0.387 m ³